



tactim

Dance Interactive Installation
by Gwendaline Bachini

mail : gb@lacri.net
phone : +33 (0)769 547 19



tactim

The dance interactive installation TACTIM consists of a live size digital picture of a dancer that can be animated by visitors/audience touching a screen. It seems that both visitors and video dancer influence each other's movement. This creates an intimate dialogue between them :

*"What kind of intimacy is it if I only exist when you touch me, look at me and when my body has become an object ?
Visitors/audience who are touching the screen, what is your role in this game? Without you, I don't exist, so who are you? And who/what am I ?"*

By it's interactive aspect, TACTIM explores the relationship between dance and visitors/audience. Its purpose is to recompose a choreography with the screen touch and by doing so recompose relentless a human identity.

- Dancers : Gwendaline Bachini, Christian Bakalov
- Music by Pumpen (BERLIN)
- Software design by Sylvain Delbart
- Production LA C.R.I.

Category : ART INTERACTIVE INSTALLATION

Software : MAX MSP

Date : 2008

Web link :

<https://gwendalinebachini.com/tactim-installation-danse-interactive/>



tactim trailer

<https://vimeo.com/709102569>

[https://gwendalinebachini.com/portfolio/
tactim-2008-2010/](https://gwendalinebachini.com/portfolio/tactim-2008-2010/)



DIGITAL ARTI

Gwendaline Bachini, la pensée en mouvement

Sarah Taurinya, 20 avril 2016

“... This is a typical example of Gwendaline Bachini's singular approach. If wanting to include the spectator in the work implies the use of a touch screen, she experiences with her body the physicality of the object and plays with this border. Nothing is taken for granted, the technological effect itself is not interesting but its implications open up fields of experience. For four years, the artistic and technical explorations were combined to produce the final installation. On a human-sized screen, the image of an animal, a praying mantis, an eagle, rotates in a loop. The spectator steps into the halo of light; opposite him, the dancer emerges from the shadows and waits. A touch of the hand on the screen and he starts to move to join her, cramped in his cage, sniffing, rubbing like an animal. He, or she, is subject to our will. The interaction is shown as it really is, an order to which the avatar responds according to the possibilities left to him by his creator. Here, more than 200 scenes have been filmed to correspond to the parts of the screen that can be called upon...”

LIBERATION

Art / Exit. Claustro folie

Clémentine Mercier, 8 avril 2016

“... The pretty dancer, shirtless, shakes in front of you. He teases you with a mischievous look. You can touch him and put your hand on the screen where he materializes in video. With the palm, you guide his movements and the man, docile, moves to the four corners of the monitor where he is locked. We would like to make him leave this box but Tactim, interactive choreographic installation of the artist Gwendaline Bachini, did not foresee any escape to his puppet. ...”

EXPONAUTE

Une installation de danse interactive à la Maison des Arts de Créteil

Agathe Lautréamont, 15 avril 2016

“... ”The installation poses many fascinating questions, on the execution of our orders by an image, of the limit between the real and the virtual, while establishing an exchange between the one who directs and the directed body.” ...”



tactim ref exhibitions

Festival VIA at Maubeuge (BE)
Festival EXIT at MAC of Creteil (FR)
Festival Move Manchester (UK)
Art Center "Hôtel Des Arts" Toulon (FR)
Templier's tower / Villa Noaille Hyères FR
Theater "Space of the Art" Le Pradet

GWENDALINE BACHINI, New Media Artist / Director

Gwendaline Bachini is a New Media Artist, Director XR. She creates interactive video art works. She deals with topic as human identity / Evolution theory. Its first steps in the field of Digital Art were made in Berlin where she realizes Tactim (live size touch screen 2008) with Humatic GmbH. After a residency in China organized by Culture France for her project BEIJING, FIELD TO DANCE, the partnership with Humatic GmbH continues in Italy with a participation in MIND BOX interactive video installation in collaboration with the Cie Zappala and IRCAM. In 2011, the Artist continues this voice in France and has engaged a partnership with 4D View Solutions and the researchers of INRIA (Grenoble) for the cycle immersive media dance: ANIMO. This cycle focuses on the place of the « error » in the evolution of life and integrates the cutting-edge technologies of the R&D project Créamove (FUI 2012-2015). The works are presented in France and abroad in digital art festivals such as MOOVE in Manchester (UK), VIA (Maubeuge) FILE, (Sao Paulo Brazil), DAf of Taipei (Taiwan) Univ Dance Festival of Beijing (China) ZED Festival (Bologna Italy) ... With the last two creations of the cycle, A#3_MOTU (VR) and BIFACE (AR) the artist start a new approach of the moving bodys with experiences specially done for volumetric dance in virtual and augmented reality. The XR prototype was awarded at Stereopsia, world immersion forum (Brussels dec 2019).

tactim - technical rider

General consideration

black box or dark box
space 2m2 (min)

Technical provided by LACRI

- tactile and interactive frontage :
- pane + metallic support
- wooden foot
- 2 mac computers
- kinect
- audio vibro blaster
- connections

Technical backline to provide by the exhibition

- strap to fix the screen
- full HD screen 50inch (thickness between 8 – 13mm maximum, connection HDMI/DVI)
- electric plug 220V
- Technical team of the exhibition to carry the frontage and to hang the screen.

1 day installation with one technician.



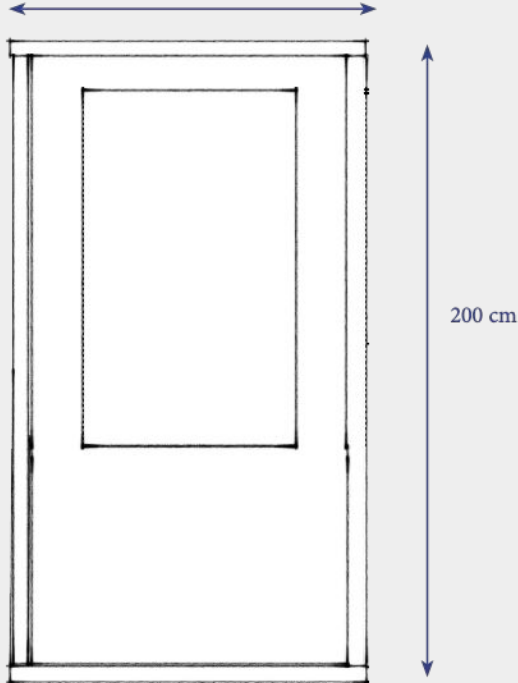
gb@lacri.net

+33(0) 7690547193

tactim - plan

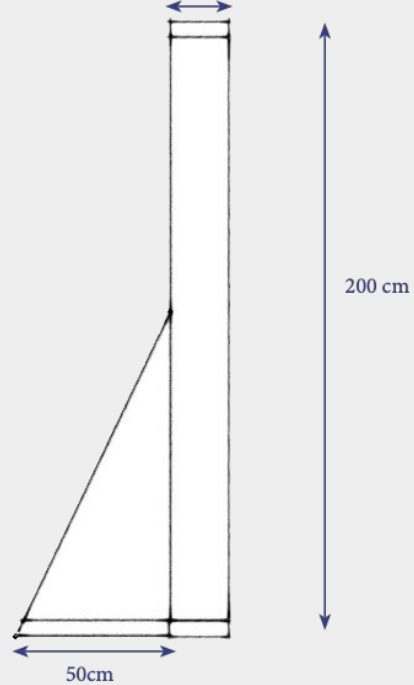
FACE

110 cm



PROFILE

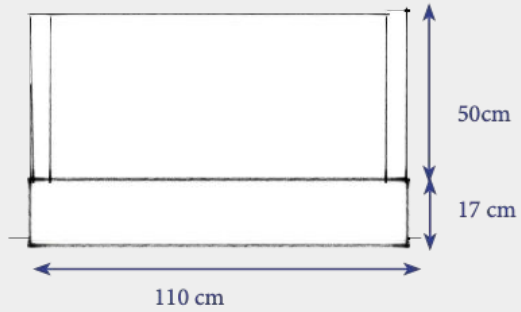
17 cm



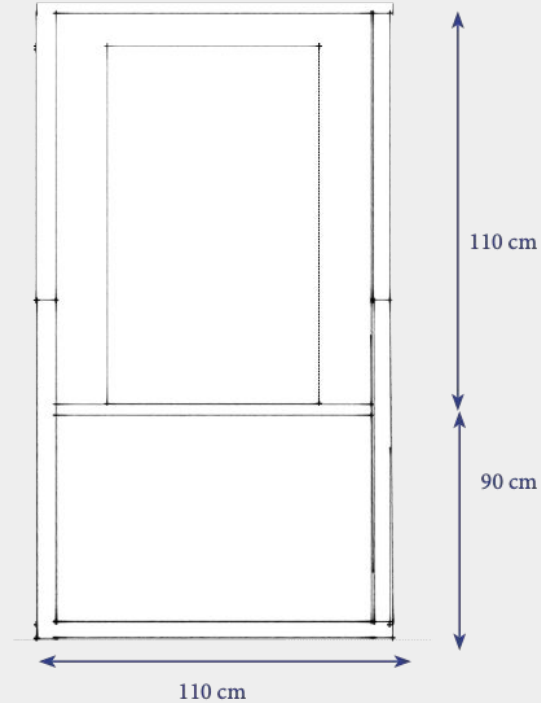
gb@lacri.net
+33(0) 7690547193

tactim - plan

TOP VIEW



BACK VIEW



gb@lacri.net
+33(0) 7690547193



Head office
 ROUGE INDIGO
 108 Rue Gabriel
 83000 TOULON FRANCE

Phone
 +33 769 547 193
 Electronic address
qb@lacri.net
 Web
qwendalineaachini.com

N° siret
 440 605 343 000 68

Naf :
 9001Z

| QUOTE tactim | PRIZE |
|---|------------------|
| Advance preparation (1 days*2 persons) | 517,00 € |
| Artist Fees (per week) | 700,00 € |
| Mounting (1days*1 persons) | 309,00 € |
| Technical equipment brought by LA CRI | |
| glass+frame + 1KInect + 1computers... (cf. TR) | 300,00 € |
| Administration + Insurance | 600,00 € |
| <i>SUBTOTAL TTC</i> | 2426,00 € |
| | +++ |
| Transportation of the art work (Round trip) | + |
| Travel/ Hotel /Meal expense / x days /2 persons | + |
| Rental of technical requirements as mentioned in the technical rider (Cf. TR) | + |
| <i>NO VAT, article 293 B du CGI</i> | € 0,00 |
| <i>Rental of technical requirement will be included in the contrat</i> | |